

Aarhus/Denmark, 13-10-23

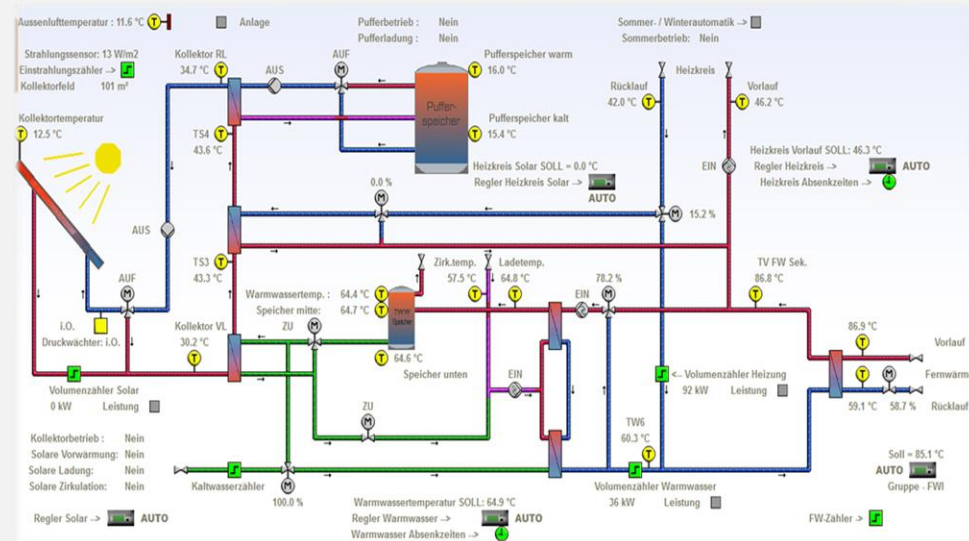
Mr. Bernhard Jurisch
(CEO)

Parabel Energiesysteme GmbH
Stephensonstr. 23
D-14482 Potsdam

- **Subsidiary of Parabel AG, Berlin**
- **Hardware and Software development in 1998**
- **8-10 employees**
- **Turnover 1.5 Mio EUR**
- **Business partner of BOSCH THERMOTECHNIK GMBH (i.e. Buderus, Junkers) since 2008**
- **Cooperating with SOLVIS and sales reps in Austria and Luxemburg**
- **400 systems in operation**
- **Systems manufactured by PEWO and YADOS**

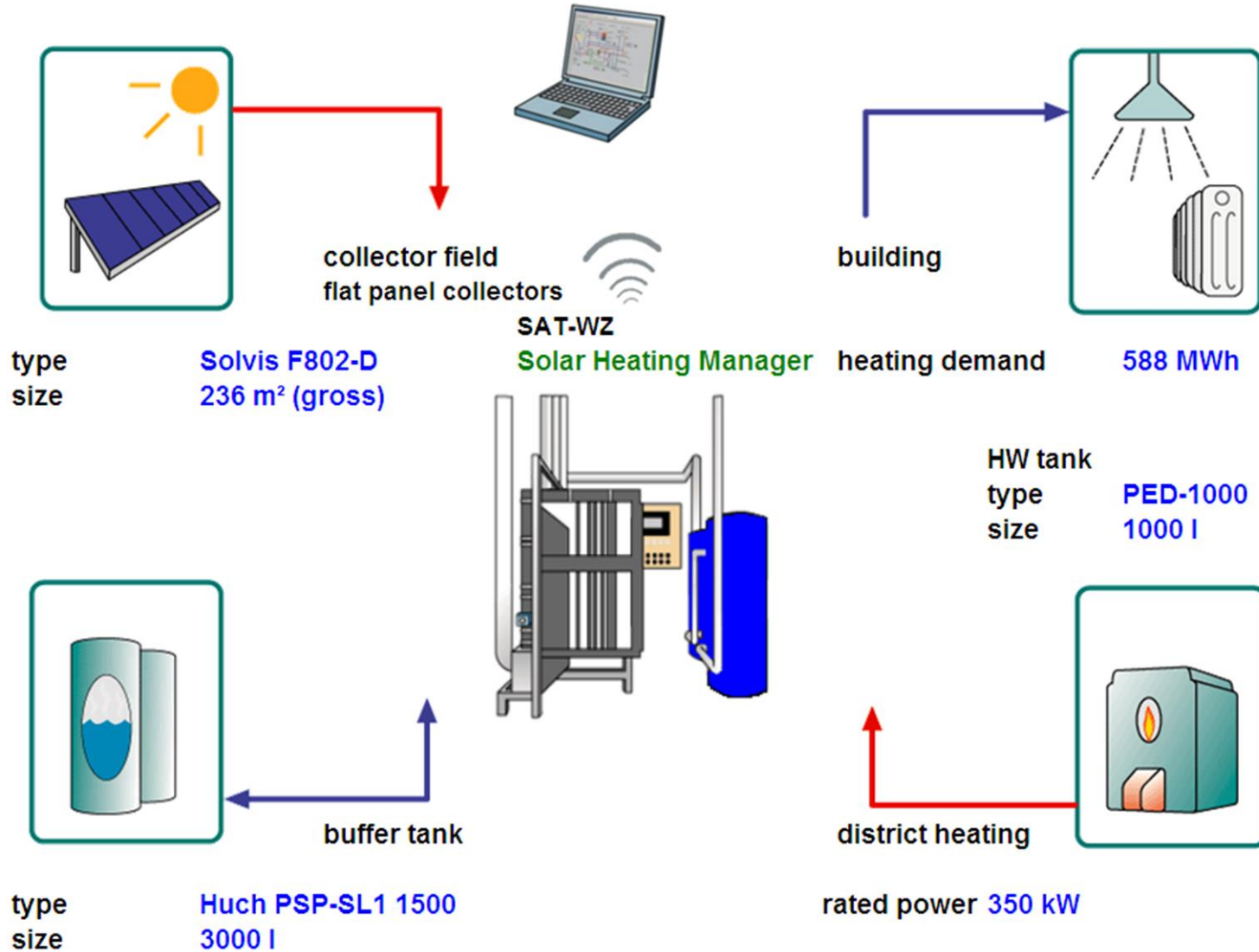
- **Processing and distributing heat with superior efficiency**
- **Focus on renewable energies, solar heating**
- **Reducing CO2 emissions
(same fuel: 20-30% possible)**
- **24/7 monitoring and error reporting**

- **Juri MAXX – Solar Heat Manager**
 - for 20 ... 200++ flats
 - modified version for local heating networks
- **Compatible with all fossil heat sources + heat pumps and biomass**
- **Fit's all low- and matched flow collectors**
- **Automated monitoring and error messaging ensures efficiency and transparent results**



System overview

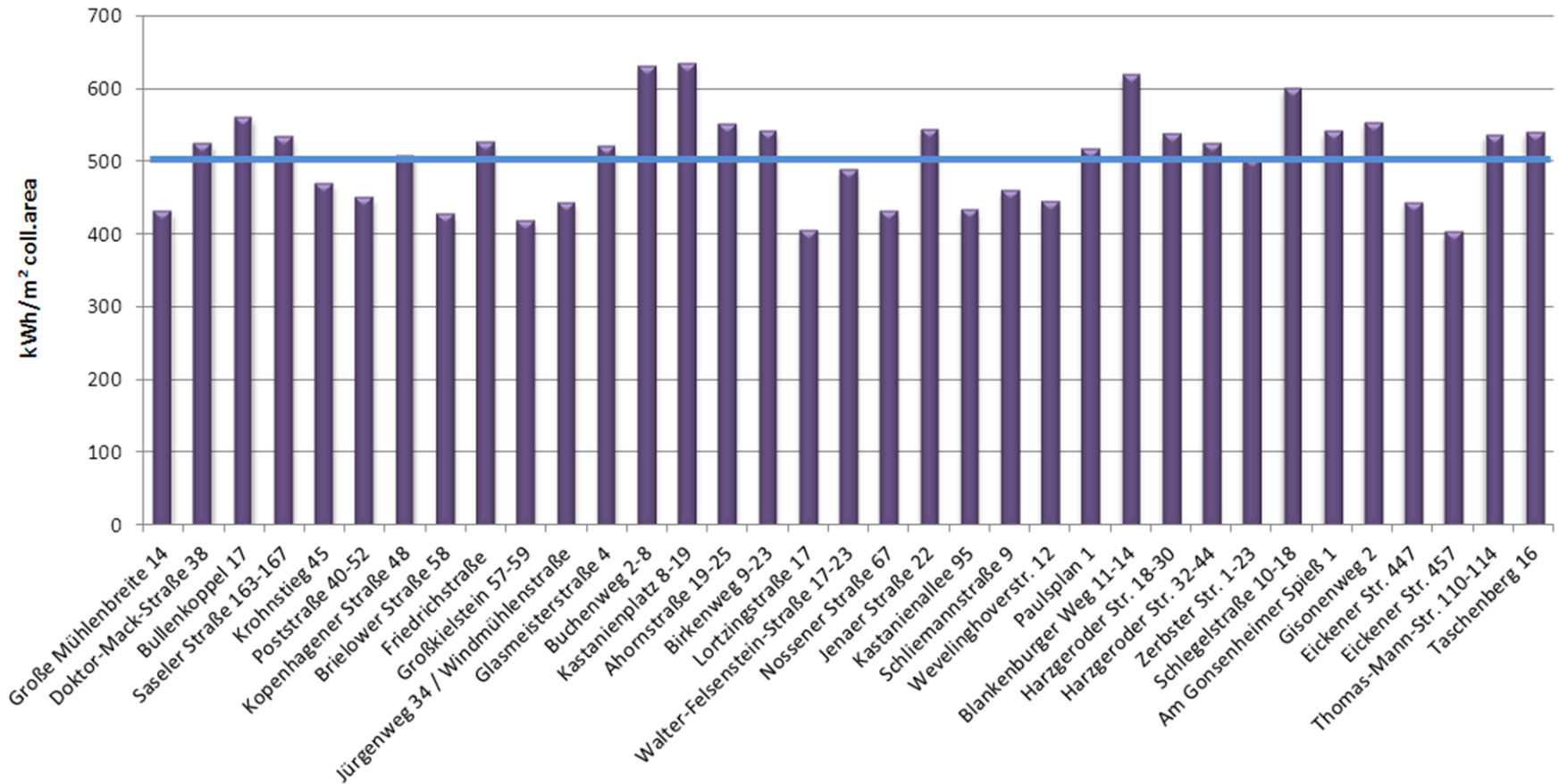
variant: building's heat demand 25 W/m²



- Germany, Austria, Luxemburg, Spain, Ukraine:

Solar yield of Juri MAXX systems in 2012

average: 503 kWh/m² collector



Bernhard Jurisch
(CEO)

Parabel Energiesysteme GmbH

Stephensonstr. 23
D-14482 Potsdam

+49-331/231811-10

www.parabel-solar.de

www.juri-portal.de

b.jurisch@parabel-solar.de